



2403 W. Hudson Rd., Hwy 62, Rogers, AR
 (479) 925-1318 Fax (479) 925-3828
 www.GrandOpenings1.com
 sales@GrandOpenings1.com

Casing



#3215
3 1/4" X 3/4"



#3205
3 1/4" X 3/4"



#3230
3 1/4" X 3/4"



#3235
3 1/4" X 3/4"



#3241
3 1/4" X 3/4"



#3511
3 1/2" X 3/4"



#3610
3 5/8" X 3/4"



#4021
4" X 3/4" or 1"



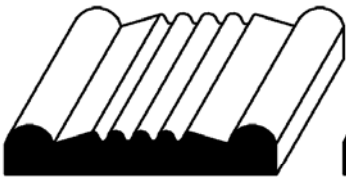
#4034
4" X 3/4" or 1"



#420
4" X 3/4" or 1"



#430
4" X 3/4" or 1"



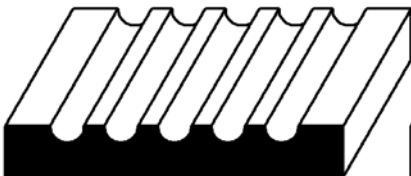
#440
4" X 3/4" or 1"



#450
4" X 3/4" or 1"



#4555
4" X 1"



#500
5" X 3/4" or 1"



#510
5" X 3/4" or 1"



#520
5" X 3/4" or 1"



#530
5" X 3/4" or 1"

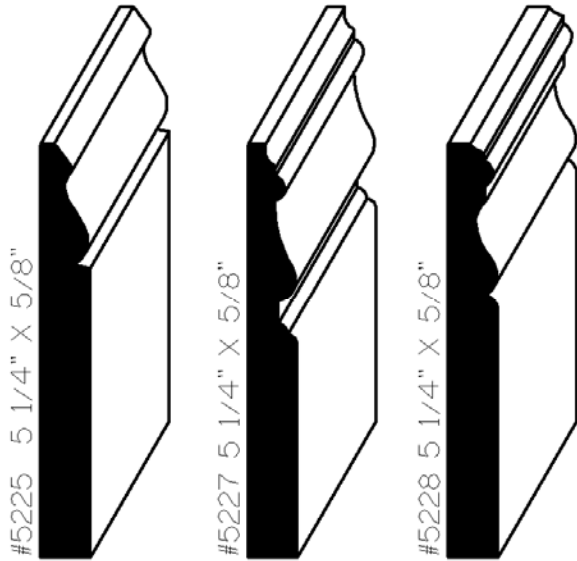


#6015
6" X 3/4"

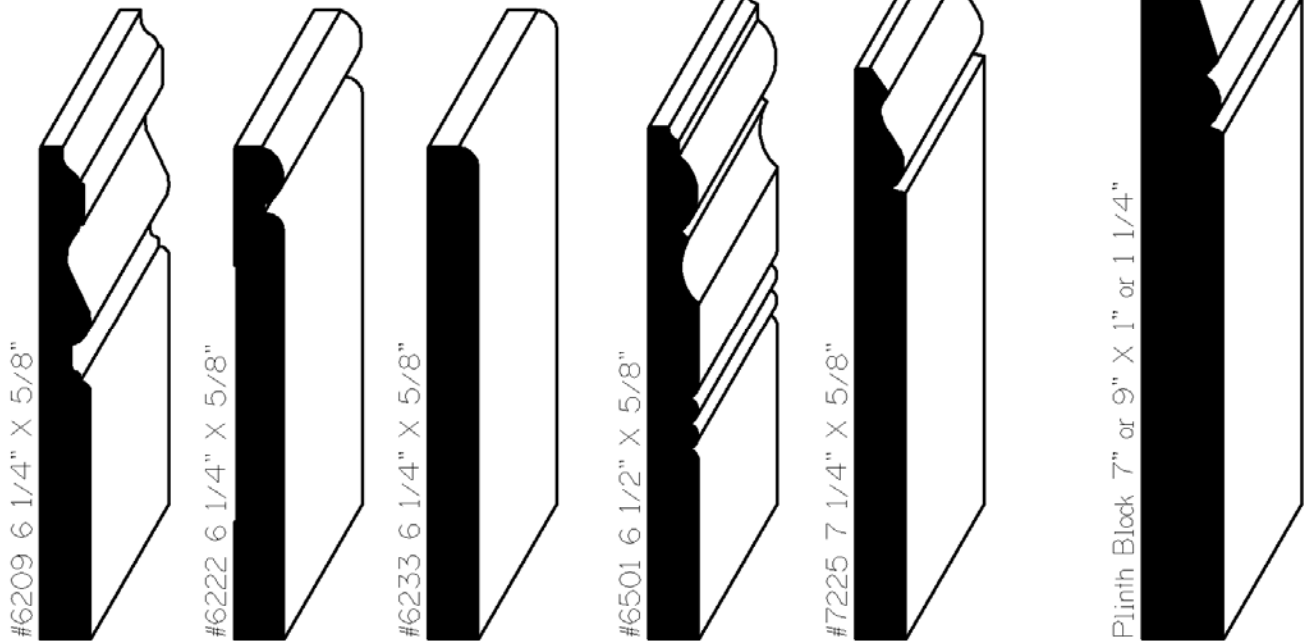
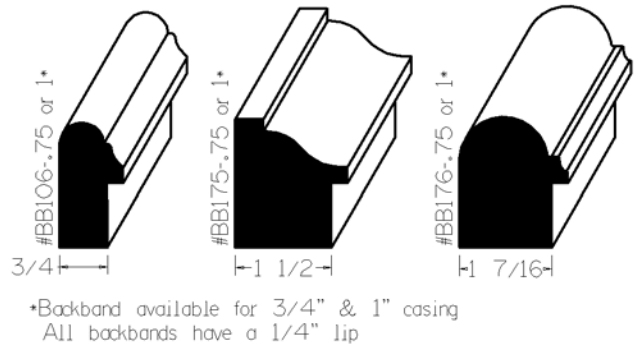
ALL PROFILES AVAILABLE IN ANY WOOD SPECIES ON SPECIAL ORDER.

Architectural Moulding

Base



Backband

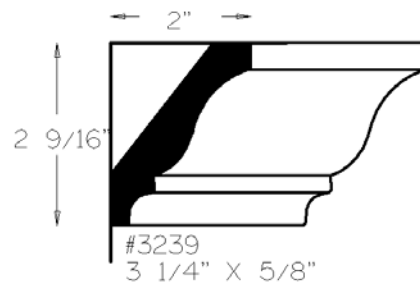
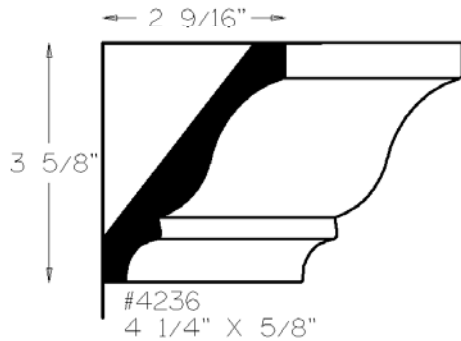
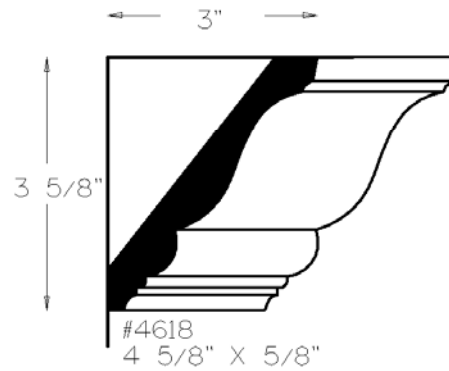
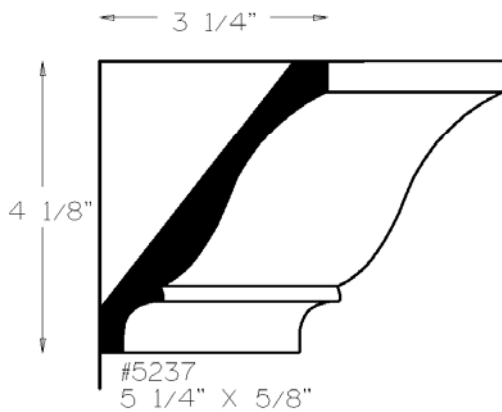
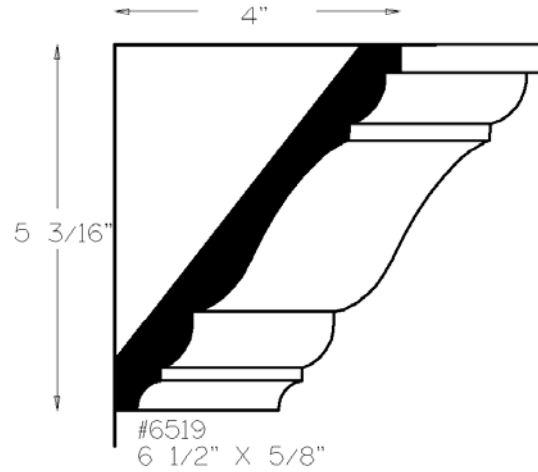
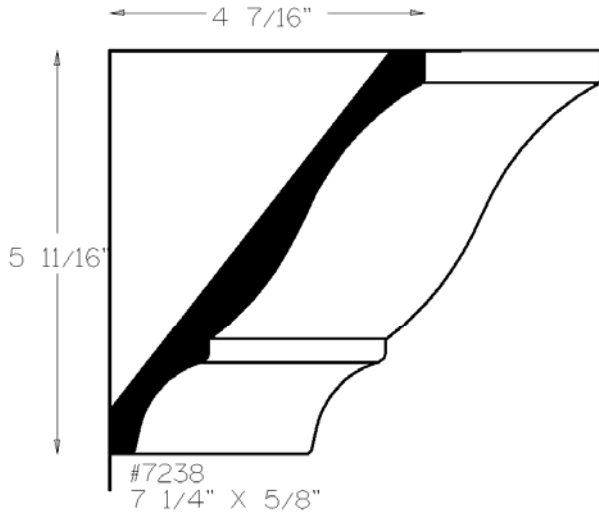


ALL PROFILES AVAILABLE IN ANY WOOD SPECIES ON SPECIAL ORDER.



2403 W. Hudson Rd., Hwy 62, Rogers, AR
 (479) 925-1318 Fax (479) 925-3828
 www.GrandOpenings1.com
 sales@GrandOpenings1.com

Crown Moulding



ALL PROFILES AVAILABLE IN ANY WOOD SPECIES ON SPECIAL ORDER.